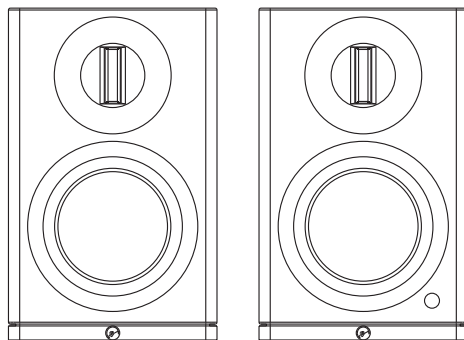




Dazzle Prime

Active Speaker Manual



For Multi-language Instructions:


Please scan the QR code. You will be guided to select and view/download the manual in your preferred language.


Warning

IMPORTANT SAFETY INSTRUCTIONS WARNING

To reduce the risk of fire or electric shock, do not expose this apparatus to rain or moisture.



 The lightning flash is intended to alert you to the presence of uninsulated "dangerous voltage" within the product's enclosure that may be of sufficient magnitude to constitute an electric shock to persons.

 The exclamation point is intended to alert you to the presence of important operating and maintenance (servicing) instructions in the literature accompanying the appliance.

Before connecting or using this apparatus, do read carefully all safety warning and instructions. Please keep this instruction for future reference.

This device should be installed or set up in a position that ventilation can be assured. Never put the device in a place that air flow over the ventilation openings might be hindered, such as in a bookshelf or a drawer.

This product should be operated only from the type of power source indicated on the back panel of the device. The power cord of this product should be restored in a place that is less possibly be walked on or get pierced, especially its plug, convenience receptacles and the point where power cord exit from the apparatus.

Before cleaning this product, make sure the plug is disconnected from the outlet. Proceed with the cleaning in the way that this instruction recommends only.

When this product is not in use for a long time, make sure to unplug the power cord from the AC outlet.

If below problem happens, send this product to a qualified service personnel for repairing.

- A. Power cord or power plug is damaged.
- B. Objects have fallen or liquid has been spilled into this product.
- C. This product is exposed to rain or other liquid.
- D. This product functions abnormally or very poorly.
- E. This product has been dropped or has a damaged enclosure.

Never to attempt to repair this product by yourself. Refer all servicing to a qualified servicing personnel.

CAUTION

To reduce the risk of electric shock, the power plug must be completely inserted into an AC outlet.

This product does not contain any parts or components that can be repaired by users themselves. Do not open the enclosure, otherwise it may result in an electric shock. Refer all servicing to a qualified servicing personnel.

When you unplug this product from AC outlet, do hold the power plug and pull.

Do not pull the power cord. Do not overload AC outlets or the extension cord, as this can lead to risk of fire or electric shock.

Warning

When repairing or replacement of parts is required, make sure the service technician has used the parts/components specified by the manufacturer or parts/components that have the same characteristics as the original parts/components. Unauthorized substitutions may result in risk of fire, electric shock or other hazards.

POWER SOURCE

Before connecting this product with AC outlet, do check and make sure the electric supply voltage is as same as it is marked on the rear panel of this product.

WARNING: It's very dangerous to insert a power plug that has bare wire into an AC outlet.

DECLARATION

This product does not contain any parts or components that can be repaired by users themselves. If there is any malfunction, refer to this instruction or ask for repair by a qualified service technician. Do not try to repair by yourself, otherwise the manufacturer will not be responsible for any consequences resulted there from.

operating temperature: 0°C-40°C

Hereby, (Zhuhai HiVi Technology Co., Ltd.) declares that the radio equipment type [Active Speaker] is compliance with Directive 2014/53/EU.

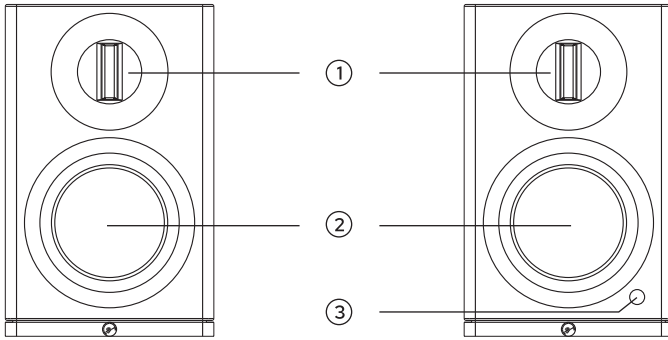
The full text of the EU declaration of conformity is available at the following internet address: www.swanspeakers.com



Operating Frequency Range	The maximum RF Output Power
Bluetooth 2402-2480 MHZ	3.12 dBm

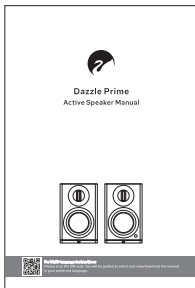
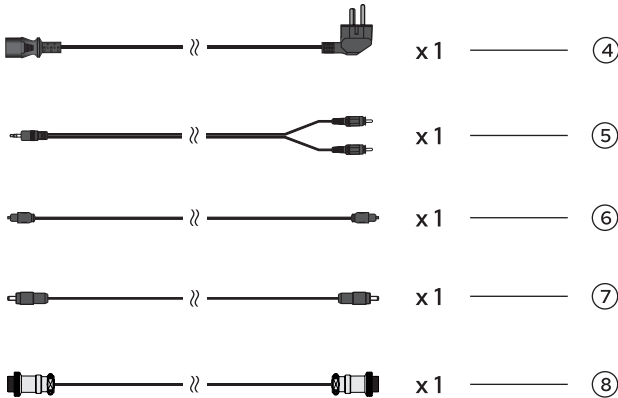
Unpacking & Schematic Diagram

Please make sure all the following components are in the box.

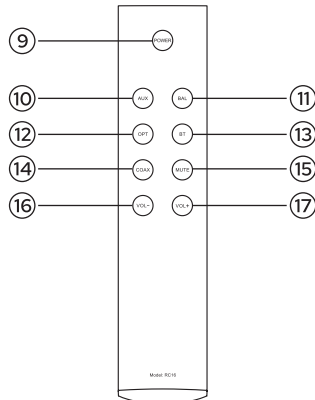


Slave speaker

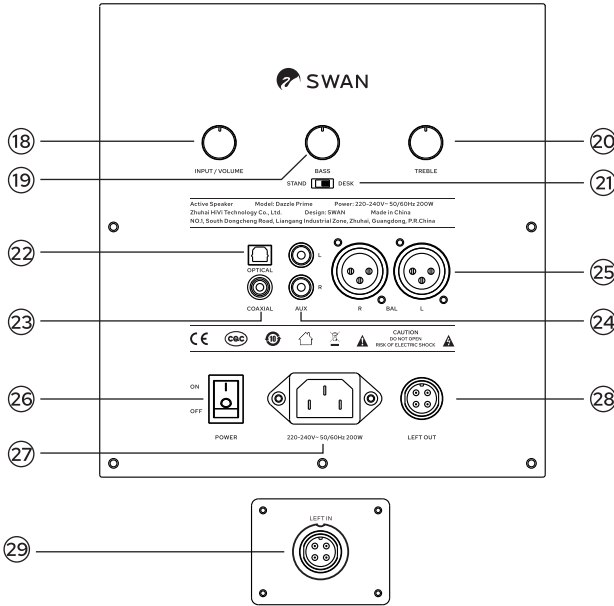
Master speaker



Manual

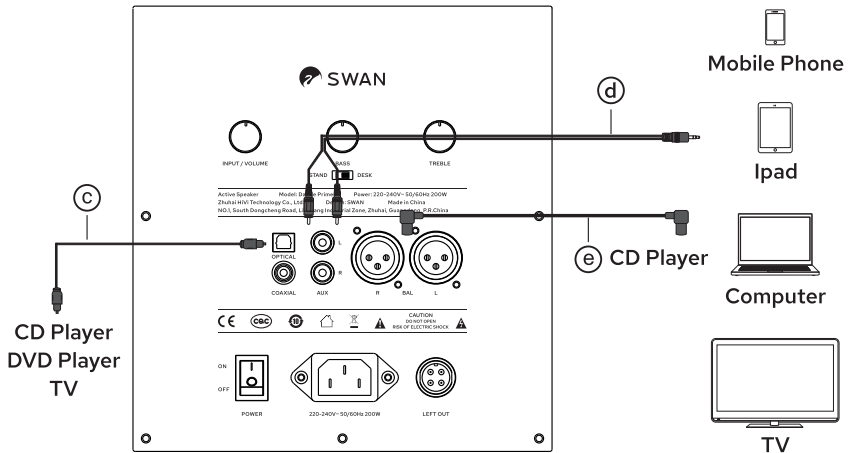
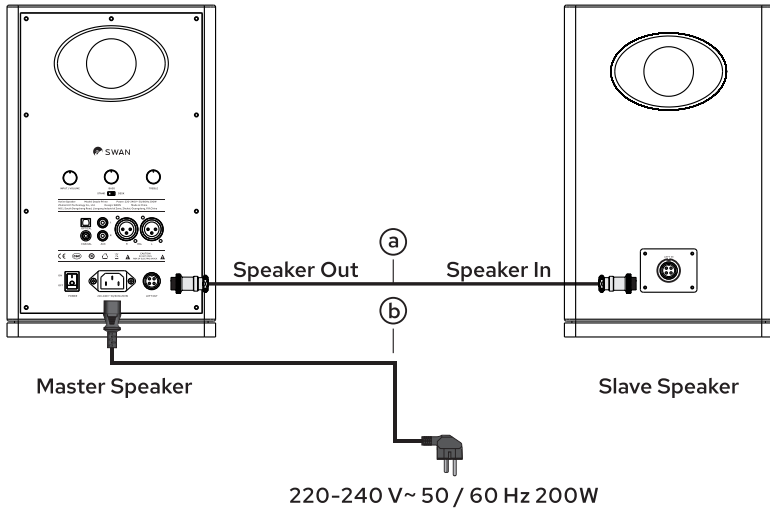


Unpacking & Schematic Diagram



- | | |
|-------------------------------|-----------|
| 1. Isodynamic Ribbon Tweeter | 2. Woofer |
| 3. Receiver / Indicator Light | |
-
- | | |
|-----------------------------|-----------------------------------|
| 4. Power Cable | 5. Dual RCA to 3.5 mm Audio Cable |
| 6. Optical Connection Cable | 7. Coaxial Cable |
| 8. Speaker Connection Cable | |
-
- | | |
|--|--|
| 9. Power | 10. AUX Input (Indicator Light Light Blue) |
| 11. Balance Input (Indicator Light Yellow) | 12. Optical Input (Indicator Light White) |
| 13. Bluetooth Input (Indicator Light Blue) | 14. Coaxial Input (Indicator Light Purple) |
| 15. Mute (Indicator Light Red) | 16. Volume Down |
| 17. Volume Up | |
-
18. Input / Volume Control: Turn clockwise to increase the volume.
Press repeatedly to cycle through the available modes (AUX, Bluetooth...)
19. Bass Control: ± 3 dB; clockwise +3dB, counterclockwise - 3 dB
20. Treble Control: ± 3 dB; clockwise +3dB, counterclockwise - 3 dB
- | | |
|-----------------------|-----------------------|
| 21. STAND / DESK Mode | 22. Optical Interface |
| 23. Coaxial Interface | 24. AUX Interface |
| 25. Balance Interface | 26. Power Switch |
| 27. Power Socket | 28. Left Speaker Out |
| 29. Left Speaker In | |

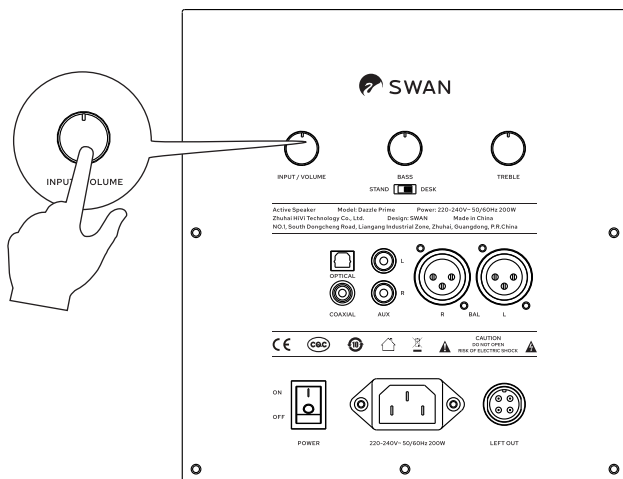
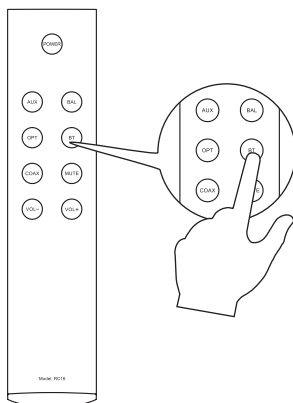
Speaker Connection



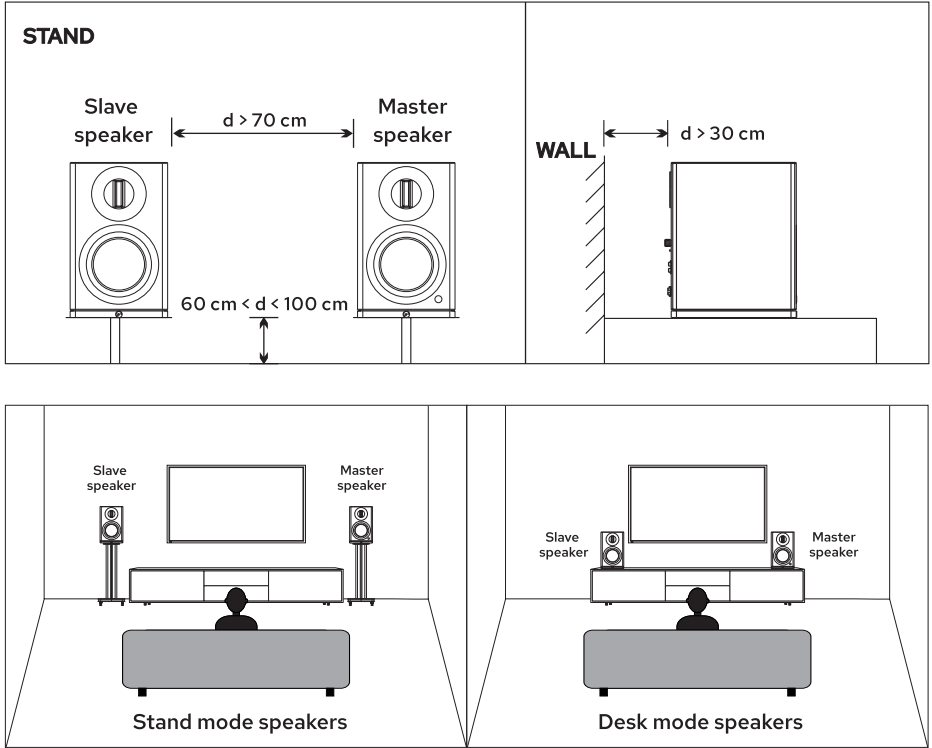
- a) Connection of master speaker and slave speaker.
- b) Connect master speaker to the power source.
- c) Optical connection with CD Player / DVD Player/TV.
- d) AUX connection with computers, TV or tablets etc.
- e) Balance connection with CD Player.

Bluetooth Connection

Select Bluetooth mode via the remote control or press Input / Volume control on the back panel. Indicator light should flash blue. Choose Dazzle Prime on your phone. Steady blue light indicates successful Bluetooth connection.



Speaker Placement



When the speaker is switched to an appropriate mode, its preset DSP data will be activated to help get a relatively flat response from the speaker. And the sound quality will be substantially improved.

About the placement of stand mode speakers: When you need to put the speaker on a dedicated speaker stand, you should switch the selector switch of speaker's back panel to STAND mode.

About the placement of desk mode speakers: When you need to put the speaker on the computer desk or TV bench, you should switch the selector switch of speaker's back panel to DESK mode.

Specifications

Series	Active Speaker
Model	Dazzle Prime
System Type	2-way 4th-order vented speaker system
Drivers Configuration	6.5" woofer ; isodynamic ribbon tweeter
Frequency Range	38 Hz - 40 kHz
Audio Input	Bluetooth / Optical / Coaxial / Balance / Line
Amplifier Output:	Tweeter 30 W x 2 RMS, Woofer 120 W x 2 RMS Total 300 W RMS
Active DSP crossover frequency	3.0 kHz
Bass tuning	± 3 dB
Treble tuning	± 3 dB
Separation	> 87 dB
Signal-to-Noise	> 102 dB (A weighted)
Dimensions (W x D x H)	223 x 300 x 359 mm
Net Weight	Master speaker 10.3 kg, Slave speaker 9.2 kg

Burn-in

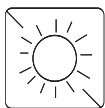
Burn-in is the procedure which can enable the speakers to perform best acoustically. A period ranging from 48 - 100 hours of usage is recommended before both the amplifier and speaker drivers behave optimally.

Alternatively, you can listen 2 or 3 hours every day at a medium volume, and the speakers will be burned-in one month or so.

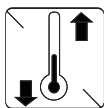
Maintenance



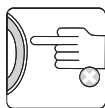
a)



b)



c)



d)



e)

- a) Avoid magnetic disturbance.
- b) Do not place under the sunshine for a long time.
- c) Do not place in high temperature or moist environment for a long time.
- d) Do not touch the drivers with your hands.
- e) Avoid corrosive liquids and gases.

Trouble Shooting

1. If there is problem with sound quality.

- a) Check if all the drivers are working.
- b) Check that audio cables are firmly connected at both ends.


2. If there is no sound from either of the speakers:

- a) Check if the device is on and if a source is playing.
- b) Check if the volume is not on minimum.
- c) Check if there is broken or short circuit with the cable connecting speakers and audio source.

3. If there is no sound coming from one of the speakers:

- a) Check the setting of the audio source.
- b) Check that all the audio cable are firmly connected at both ends.

Notice

 The crossed-out wheeled bin symbol on this product indicates that electrical and electronic products should not be disposed of as unsorted municipal waste. Please dispose of waste equipment at designated collection points for separate collection and recycling.

Zhuhai HiVi Technology Co., Ltd.

NO.1, South Dongcheng Road, Liangang Industrial Zone, Zhuhai, Guangdong, P.R.China

DECLARATION OF CONFORMITY

5-Feb-26

I, hereby declare that the product

Product Name: Active Speaker
Model Number: Dazzle Prime,
HiVi Dazzle Prime, HiVi-Swans Dazzle Prime,
Swans Dazzle Prime, SWAN Dazzle Prime,
HiVi D300, HiVi-Swans D300, Swans D300,
SWAN D300, D300

Hardware: 5.0
Software: 6.0

Satisfies all the technical regulations applicable to the product within the scope of Council Directives 2014/30/EU, 2014/35/EU and 2014/53/EU and declare that the same application has not been lodged with any other EU Notify Body:

1. EN 300 328 V2.2.2 (2019-07)	2. ETSI EN 301 489-1 V2.2.3 (2019-11)
3. ETSI EN 301 489-17 V3.3.1 (2024-09)	4. EN 55032:2015+A11:2020
5. EN IEC 61000-3-2:2019+A2:2024	6. EN 61000-3-3:2013+A2:2021+AC:2022
7. EN 55035:2017+A11:2020	8. EN IEC 62311:2020 EN 50665:2017
9. EN IEC 62368-1:2014+A11:2017	10.

(Title(s) of regulations, standards, etc.)

All essential radio test suites have been carried out.

NOTIFIED BODY:

Name: DERYCOM CERTIFICATION SERVICES, INC.
Address: 1100 Falcon Avenue
Glencoe, Mn 55336
Identification Number: 3052

MANUFACTURER or AUTHORISED REPRESENTATIVE :

Name: Zhuhai HiVi Technology Co., Ltd.
Address: NO.1, South Dongcheng Road, Liangang Industrial Zone, Zhuhai, Guangdong, P.R.China

Accessories:

1. Adapter:
2. Battery:
3.
4.
5.

This declaration is issued under the sole responsibility of the manufacturer and, if applicable, his authorized representative.

Sincerely,

Vemi Liang


Contact Name: Vemi Liang
Title: Product Certification Specialist
Email: vemi.liang@swanspeakers.com
Manufacturer Name: Zhuhai HiVi Technology Co., Ltd.

www.swanspeakers.com <https://www.facebook.com/SwansSpeakers/> Ver 2
Zhuhai HiVi Technology Co., Ltd. E-mail: global@swanspeakers.com
No.1, South Dongcheng Road, Liangang Industrial Zone, Zhuhai, Guangdong, P.R.China

Due to the reasons in the change of design or others, product information contained here may not be in conformity with product itself. We reserve the right of no prior notice before change.